



CERTIFICATE NUMBER  
17-LD1596474-PDA

DATE  
25 Jan 2017

ABS TECHNICAL OFFICE  
London Engineering Department

## CERTIFICATE OF DESIGN ASSESSMENT

This is to certify that a representative of this Bureau did, at the request of

### **ROCKWOOL INTERNATIONAL A/S**

assess design plans and data for the below listed product. This assessment is a representation by the Bureau as to the degree of compliance the design exhibits with applicable sections of the Rules. This assessment does not waive unit certification or classification procedures required by ABS Rules for products to be installed in ABS classed vessels or facilities. This certificate, by itself, does not reflect that the product is Type Approved. The scope and limitations of this assessment are detailed on the pages attached to this certificate.

Product: **Bulkhead, A-30 bulkhead**

Model: **Steel Bulkhead A-30 with SeaRox FB 6020/SeaRox FM 6030 ALU**

This Product Design Assessment (PDA) Certificate 17-LD1596474-PDA, dated 25/Jan/2017 remains valid until 24/Jan/2022 or until the Rules or specifications used in the assessment are revised (whichever occurs first).

This PDA is intended for a product to be installed on an ABS classed vessel, MODU or facility which is in existence or under contract for construction on the date of the ABS Rules or specifications used to evaluate the Product.

Use of the Product on an ABS classed vessel, MODU or facility which is contracted after the validity date of the ABS Rules and specifications used to evaluate the Product, will require re-evaluation of the PDA.

Use of the Product for non ABS classed vessels, MODUs or facilities is to be to an agreement between the manufacturer and intended client.

AMERICAN BUREAU OF SHIPPING

Nitin Tyagi  
Engineer/Consultant

NOTE: This certificate evidences compliance with one or more of the Rules, Guides, standards or other criteria of ABS or a statutory, industrial or manufacturer's standards. It is issued solely for the use of ABS, its committees, its clients or other authorized entities. Any significant changes to the aforementioned product without approval from ABS will result in this certificate becoming null and void. This certificate is governed by the terms and conditions as contained in ABS Rules 1-1-A/3/5 9 Terms and Conditions of the Request for Product Type Approval and Agreement (2010).

**ROCKWOOL INTERNATIONAL A/S**  
HOVEDGADEN 584  
DK-2640 HEDEHUSENE  
Denmark  
Telephone: 45-4656-1616  
Fax:  
Email: math.mourmans@rockwool.com  
Web: www.rockwool-rti.com

**Tier: 3 - Type Approved, unit certification not required**

---

**Product:** Bulkhead, A-30 bulkhead  
**Model:** Steel Bulkhead A-30 with SeaRox FB 6020/SeaRox FM 6030 ALU  
**Intended Service:**  
To form part of A-Class fire division on ABS Classed Vessels, Units or Facilities.

**Description:**

A bulkhead (structural steel core) insulated with one layer of minimum 70 mm SeaRox FB 6020, 40-100 kg/m<sup>3</sup> on the level and with one layer of minimum 30 mm SeaRox FM 6030 ALU, 50kg/m<sup>3</sup> on the stiffeners.

**Rating:**

Bulkhead, A-30 Bulkhead

**Service Restriction:**

- 1) Unit Certification is not required for this product. If the manufacturer or purchaser's request an ABS Certificate for compliance with a specification or standard, the specification or standard, including inspection standards and tolerances must be clearly defined.
- 2) Continuous compliance with the statutory requirements requires maintenance of the Full Type Approval. The scope of Type Approval is to comply with MSC.1/Cir. 1221 dated 1 December 2006.

**Comments:**

- 1) The Manufacturer has provided a declaration about the control of, or lack of Asbestos in this product.
- 2) Unless specifically directed by the Administration, this approval is not to be construed as a substitute of a flag Administration's approval for the purpose of SOLAS 1974, as amended.
- 3) In those instances where flag administration may have their own specific requirements, flag Administration's approval may be required.

**Notes/Drawing/Documentation:**

DBI Fire test report ref. PGA10658, Dated 26 March 2015  
DBI Assessment Report ref. PHA10628a, Dated 7 July 2015  
DBI Assessment Report ref. PHA10628b, Dated 7 July 2015  
DBI Assessment Report ref. PHA10628c, Dated 7 July 2015  
DBI Assessment Report ref. PHA10628d, Dated 7 July 2015  
DBI Assessment Report ref. PHA10628e, Dated 7 July 2015  
DBI Assessment Report ref. PHA10628f, Dated 11 August 2016  
DBI Assessment Report ref. PGA10731, Dated 11 Dec 2015

**Terms of Validity:**

This Product Design Assessment (PDA) Certificate 17-LD1596474-PDA, dated 25/Jan/2017 remains valid until 24/Jan/2022 or until the Rules or specifications used in the assessment are revised (whichever occurs first).

This PDA is intended for a product to be installed on an ABS classed vessel, MODU or facility which is in existence or under contract for construction on the date of the ABS Rules or specifications used to evaluate the Product.

Use of the Product on an ABS classed vessel, MODU or facility which is contracted after the validity date of the ABS Rules and specifications used to evaluate the Product, will require re-evaluation of the PDA.

Use of the Product for non ABS classed vessels, MODUs or facilities is to be to an agreement between the manufacturer and intended client.

**ROCKWOOL INTERNATIONAL A/S**  
HOVEDGADEN 584  
DK-2640 HEDEHUSENE  
Denmark  
Telephone: 45-4656-1616  
Fax:  
Email: math.mourmans@rockwool.com  
Web: www.rockwool-rti.com

**Tier: 3 - Type Approved, unit certification not required**

---

## **STANDARDS**

### **ABS Rules:**

The Rules applicable to this assessment are:

ABS Rules for Condition of Classification 2017- Steel Vessels, Steel Vessels Under 90 M, Offshore Support Vessels:  
1-1-4/7.7, 1-1-A3 & A4  
2017 High Speed Craft : 1-1-4/11.9, 1-1-A3 & A4  
ABS Rules for Condition of Classification -Offshore Units and Structures 2017- Mobile Offshore Drilling Units: 1-1-4/9.7, 1-1-A2 & 1-1-A3

### **National:**

NA

### **International:**

IMO Resolution MSC.307(88) adopted on 3 Dec 2010 - 2010 FTP Code (2012 Edition): International Code for Application of Fire Test Procedures

### **Government:**

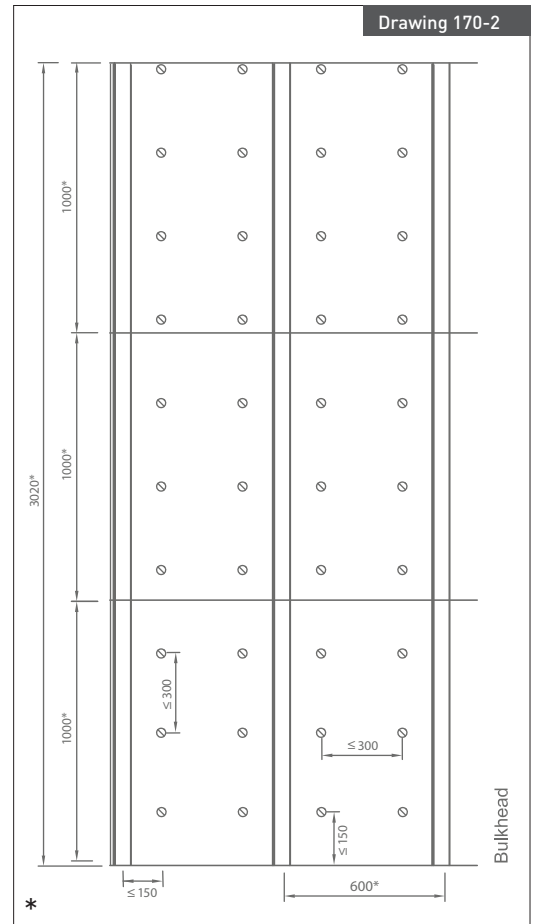
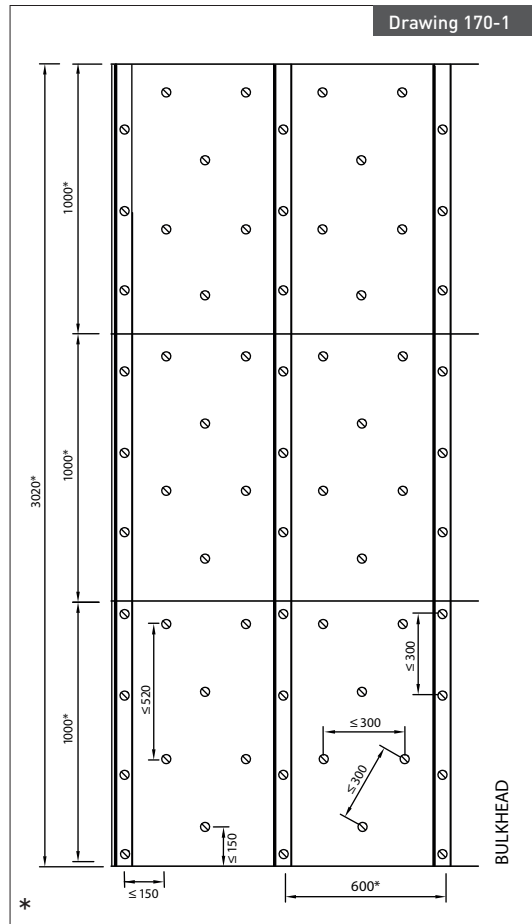
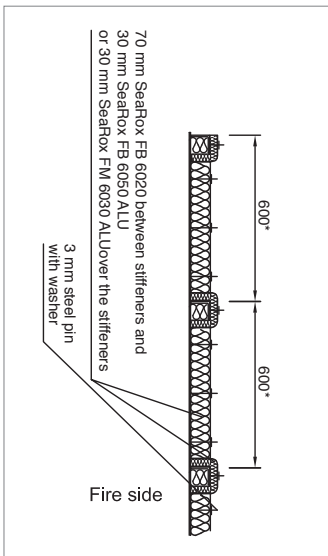
NA

### **EUMED:**

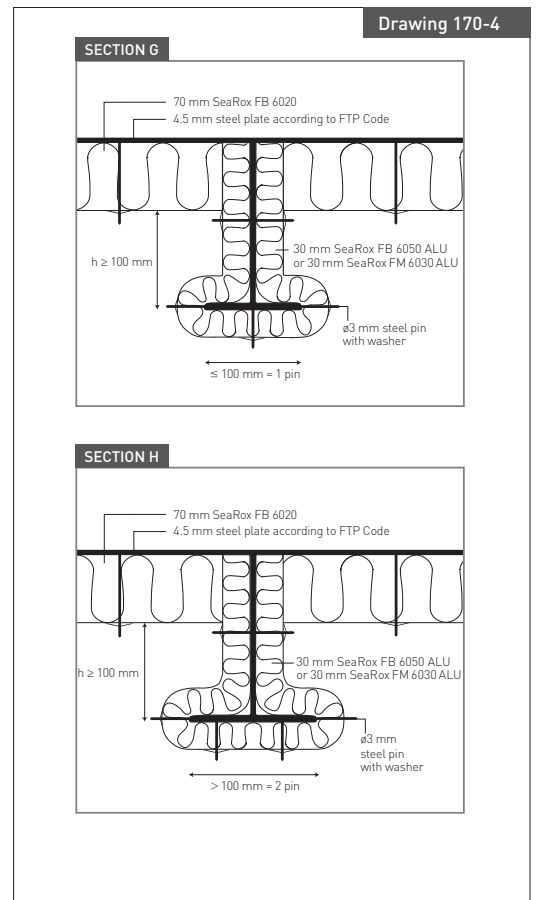
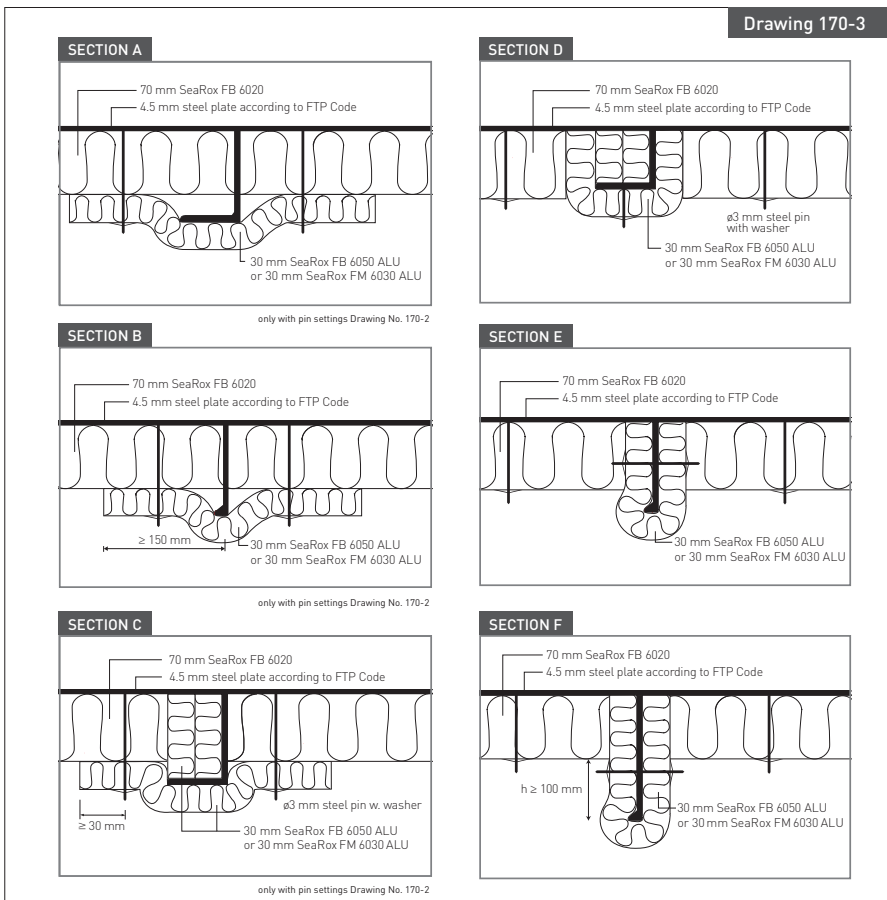
NA

### **OTHERS:**

NA



\* Dimensions may vary depending on structural design and size of insulation slab.



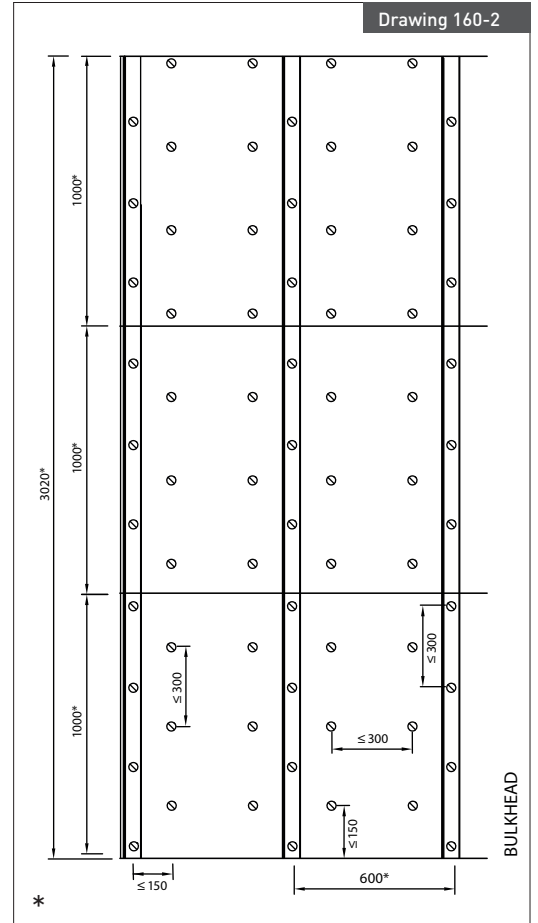
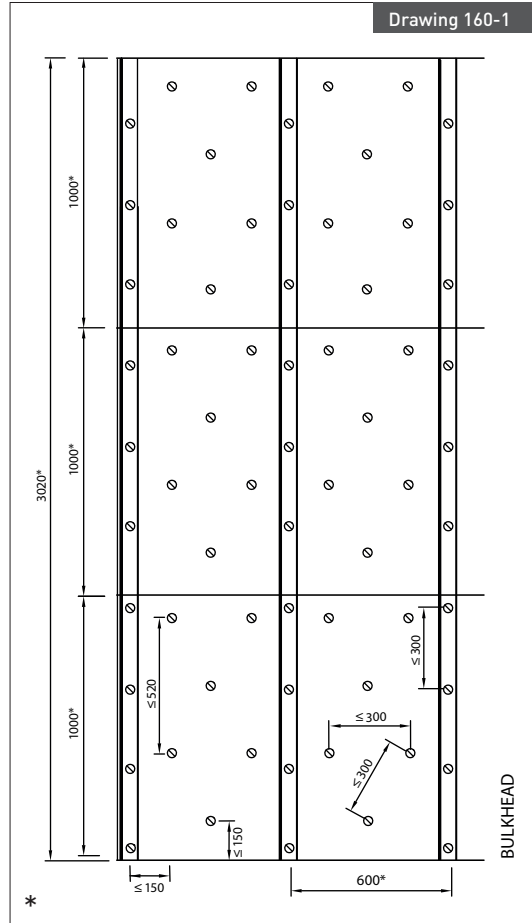
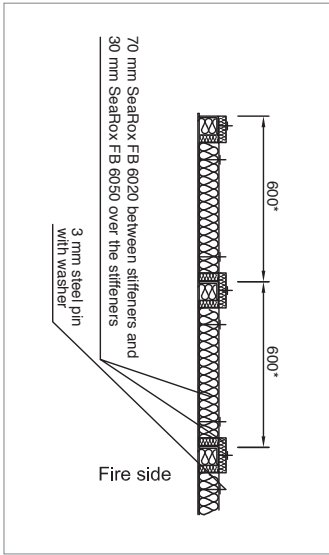
All measurements in mm

Date: 2016/12/13

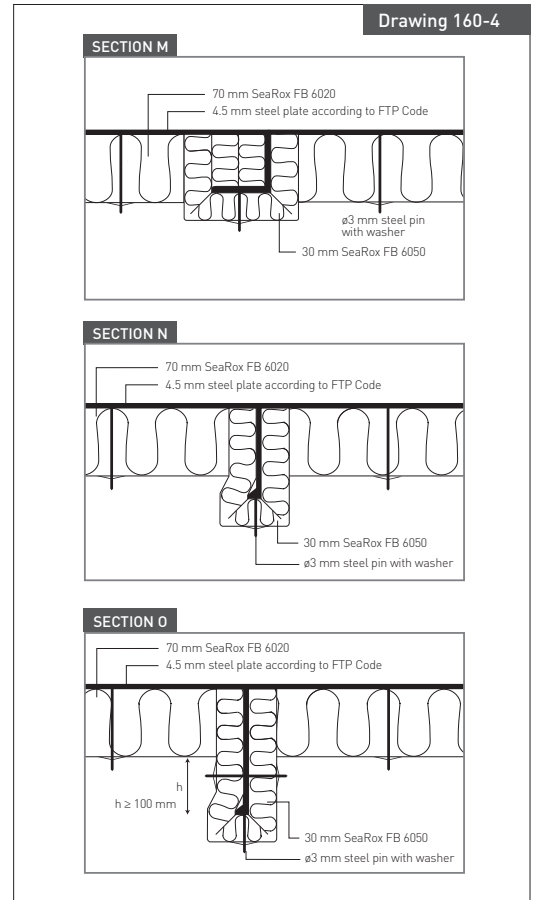
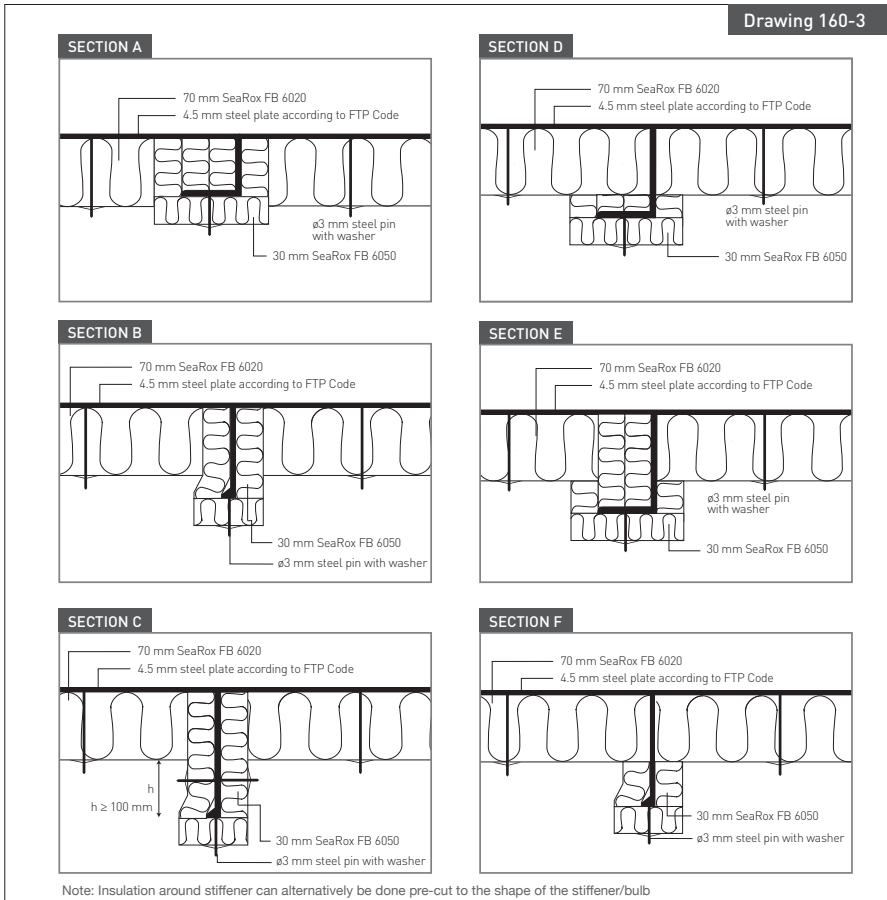
Subject: A-30 Bulkhead SeaRox FB 6020/  
SeaRox FB 6050 ALU or SeaRox FM 6030 ALU

Assessment  
Report Nos.: PHA10628f

**ROCKWOOL®**  
TECHNICAL INSULATION



\* Dimensions may vary depending on structural design and size of insulation slab.



All measurements in mm

Date: 2016/12/13

Subject: A-30 Bulkhead SeaRox FB 6020/ SeaRox FB 6050

Assessment Report Nos.: PHA10628a PHA10628b PHA10628c PHA10628d PHA10628e

**ROCKWOOL®**

TECHNICAL INSULATION