



# EC-TYPE EXAMINATION CERTIFICATE (MODULE B)

Certificate No:  
**MEDB00001SH**  
Revision No:  
**2**

Application of: Directive 2014/90/EU of 23 July 2014 on marine equipment (MED), issued as "Forskrift om Skipsutstyr" by the Norwegian Maritime Authority. This Certificate is issued by DNV AS under the authority of the Government of Norway.

## This is to certify:

**That the A & B Class divisions fire integrity: A class divisions.**

with type designation(s)  
**A-60 Deck, SeaRox WM 620**

Issued to

**Rockwool International A/S**  
**Hedehusene, Denmark**

is found to comply with the requirements in the following Regulations/Standards:

Regulation (EU) 2021/1158,  
item No. MED/3.11a. SOLAS 74 as amended, Regulation II-2/3.2 & II-2/9, IMO 2010 FTP Code, IMO  
MSC/Circ.1120 and IMO MSC.1/Circ.1434, IMO MSC.1/Circ.1435.

Further details of the equipment and conditions for certification are given overleaf.

This Certificate is valid until **2027-02-05**.

Issued at **Høvik** on **2022-02-06**

DNV local station:  
**Sweden CMC**

Approval Engineer:  
**Tessa Bieber**



Notified Body  
No.: **0575**



for **DNV AS**

Digitally Signed By: Øyvind Hoff  
Location: DNV Høvik, Norway  
on behalf of

**Sverre Olav Bergli**  
**Head of Notified Body**

A U.S. Coast Guard approval number will be assigned to the equipment when the production module has been completed and will appear on the production module certificate (module D, E or F), as allowed by the "Agreement between the United States of America and the EEA EFTA states on the mutual recognition of Certificates of Conformity for Marine Equipment" signed 17 October 2005, and amended by Decision No 1/2019 dated February 22nd, 2019.



The mark of conformity may only be affixed to the above type approved equipment and a Manufacturer's Declaration of Conformity issued when the production-surveillance module (D, E or F) of Annex B of the MED is fully complied with and controlled by a written inspection agreement with a Notified Body. The product liability rests with the manufacturer or his representative in accordance with Directive 2014/90/EU.

This certificate is valid for equipment, which is conform to the approved type. The manufacturer shall inform DNV AS of any changes to the approved equipment. This certificate remains valid unless suspended, withdrawn, recalled or cancelled.

Should the specified regulations or standards be amended during the validity of this certificate, the product is to be re-approved before being placed on board a vessel to which the amended regulations or standards apply.

**LEGAL DISCLAIMER:** Unless otherwise stated in the applicable contract with the holder of this document, or following from mandatory law, the liability of DNV AS, its parent companies and their subsidiaries as well as their officers, directors and employees ("DNV") arising from or in connection with the services rendered for the purpose of the issuance of this document or reliance thereon, whether in contract or in tort (including negligence), shall be limited to direct losses and under any circumstance be limited to 300,000 USD.



Form code: MED 201.NOR

Revision: 2021-03

www.dnv.com

Page 1 of 2



Job Id: **344.1-006072-3**  
Certificate No: **MEDB00001SH**  
Revision No: **2**

## Product description

### 'A-60 Deck - SeaRox WM 620'

Composed of a structural steel deck insulated on the exposed side (underside of the deck) with minimum 45 mm thick insulation of type "SeaRox WM 620" (manufactured by Rockwool International AS with density of 90 kg/m<sup>3</sup>) between stiffeners and over stiffeners, as one layer. The cavity inside the stiffeners is empty. The deck insulation is held in place using standard 3 mm steel pins and 38 mm steel washers with c/c 300 mm both longitudinal as transversal.

Alternatively, the insulation material and stiffener design (ref. SOLAS II-2/9.3.4) may be in accordance with drawing no. 400-3 and 400-4 as listed below.

For further details see drawings listed under Type Examination documentation.

## Application/Limitation

Approved for use as a horizontal fire retarding division of class A-60.

The insulation materials and adhesives used have to be approved according to the Marine Equipment Directive and bear the MED Mark of Conformity. This requirement may also be applicable for surface materials used, if required by relevant rules and regulations.

Each product is to be supplied with its manual for installation and maintenance.

## Type Examination documentation

Test report No. PGB10146A dated 2021-09-08 from DBI, Hvidovre, Denmark.

Assessment PHD10042A dated 2021-10-18 from DBI, Hvidovre, Denmark (assessing alternative mounting methods and stiffener design) valid until 2026-10-18).

Drawing No. 2021006 dated 2021-08-23 from manufacturer.

Drawing No. 400-1 dated 2021-09-01 from manufacturer.

Drawing No. 400-2 dated 2021-09-01 from manufacturer.

Drawing No. 400-3 dated 2021-09-01 from manufacturer.

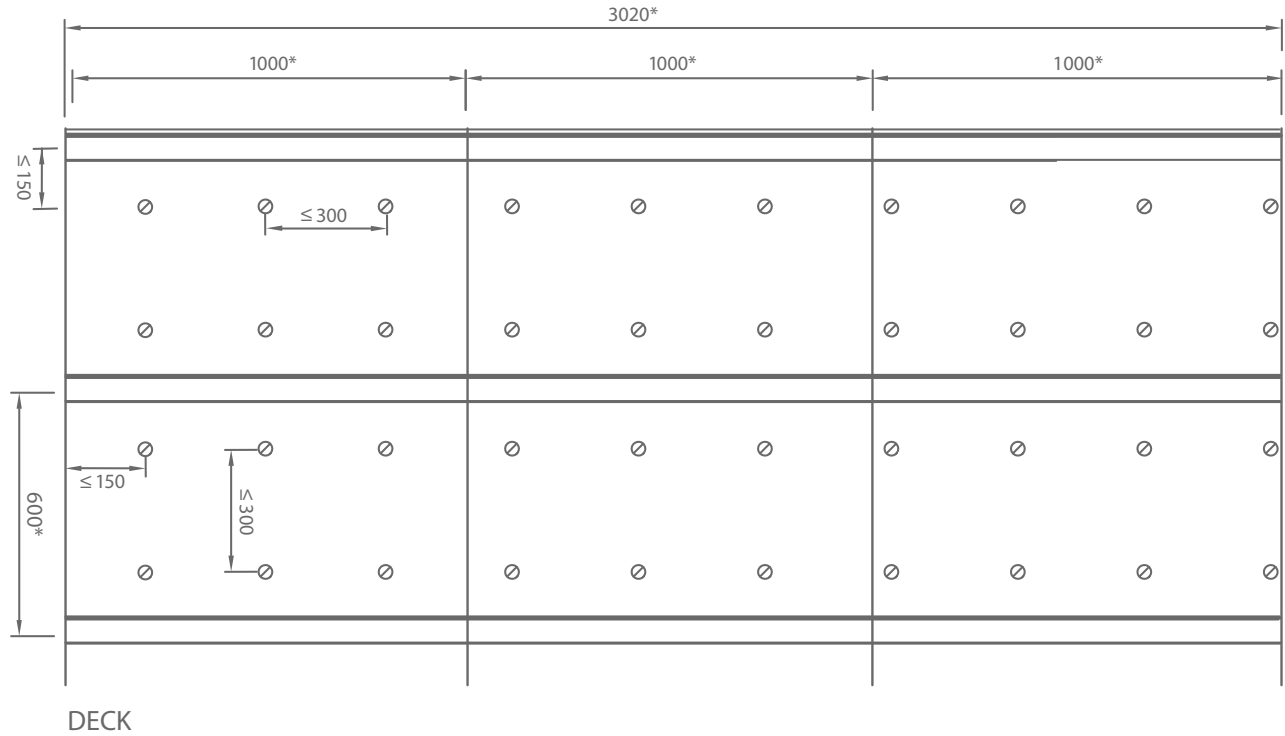
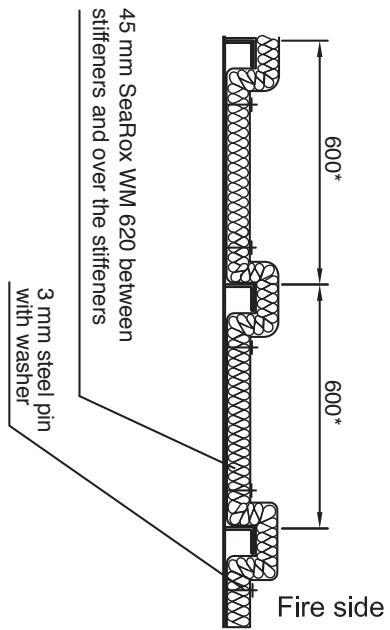
Drawing No. 400-4 dated 2021-09-01 from manufacturer.

## Tests carried out

Tested according to IMO 2010 FTP Code part 3.

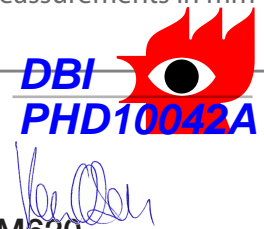
## Marking of product

The product is to be marked with name and address of manufacturer, type designation, fire technical rating, the MED Mark of Conformity and USCG number when applicable (see first page).



\* Dimensions may vary depending on structural design and size of insulation slab.

All measurements in mm



Subject: A-60 Deck SeaRox WM 620/ SeaRox WM620

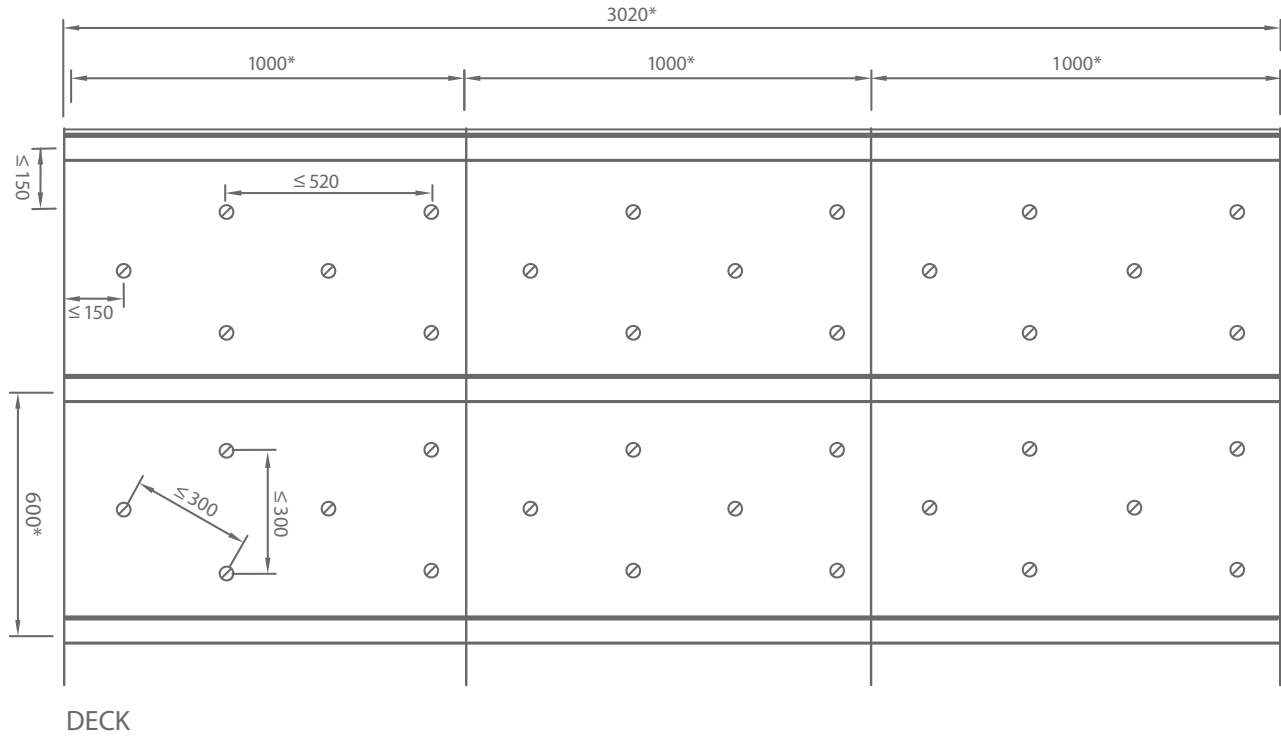
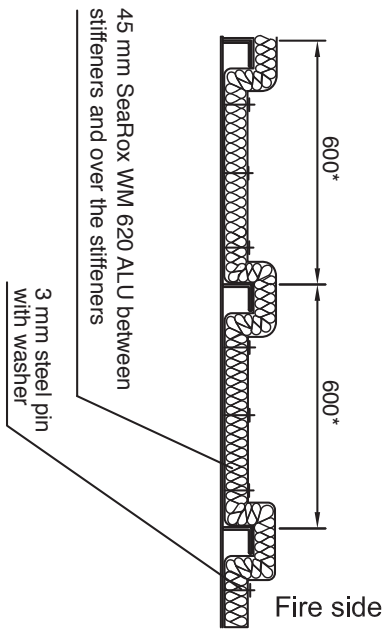
Date: 2021-09-01

Designer: DG

Drawing No. 400-1



TECHNICAL INSULATION



\* Dimensions may vary depending on structural design and size of insulation slab.

All measurements in mm



Subject: A-60 Deck SeaRox WM 620/ SeaRox WM 620

Date: 2021/09/01

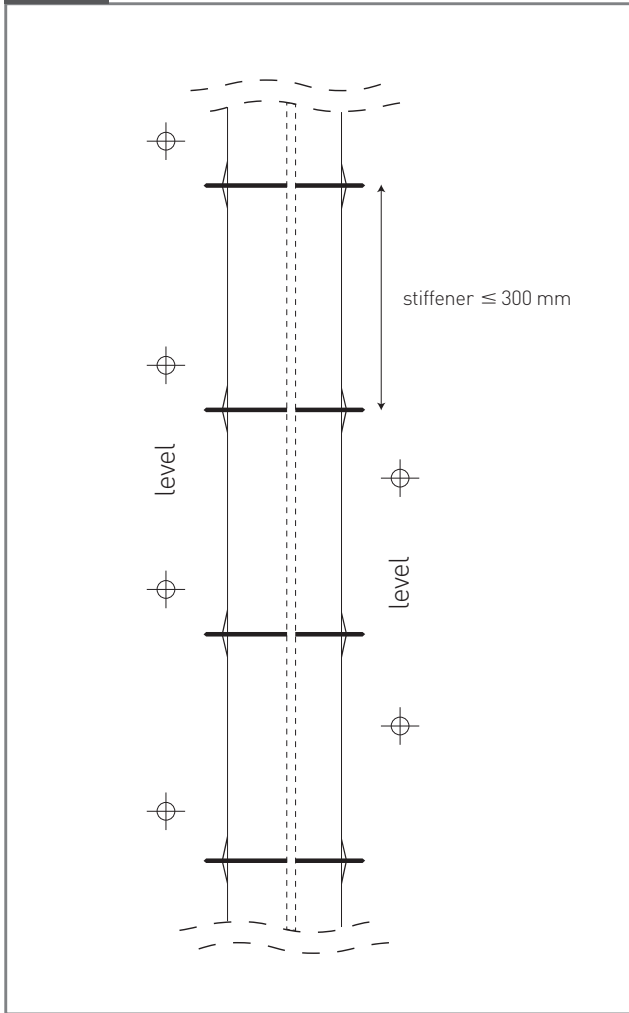
Designer: DG

Drawing No. 400-2

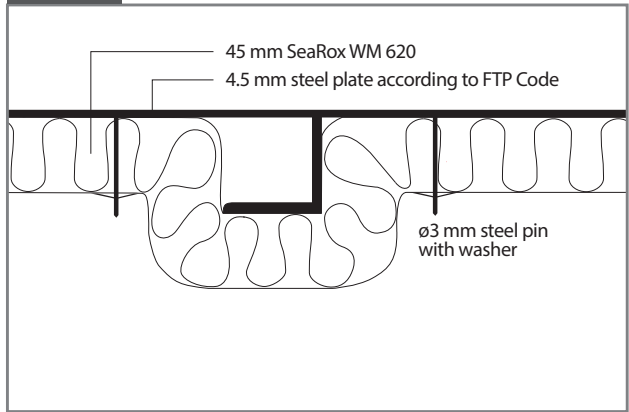


TECHNICAL INSULATION

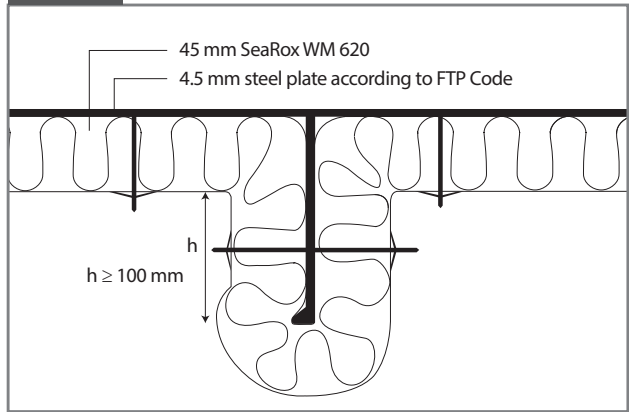
TOP VIEW



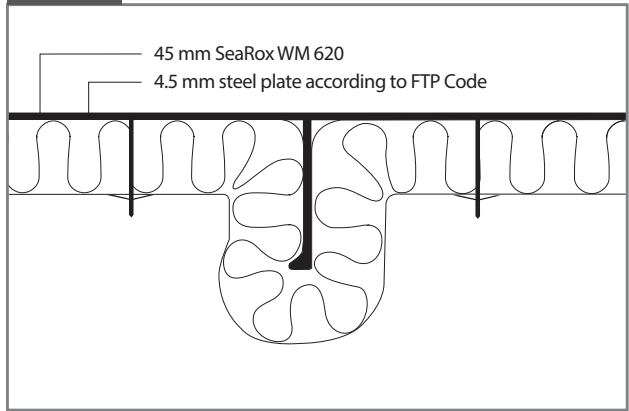
SECTION A



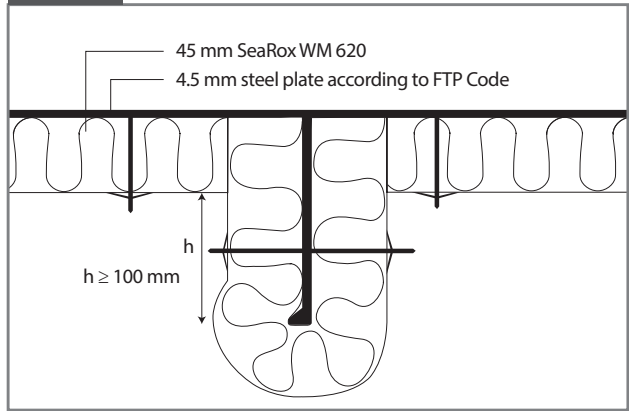
SECTION C



SECTION B



SECTION D



Subject: A-60 Deck SeaRox WM 620/ SeaRox WM 620

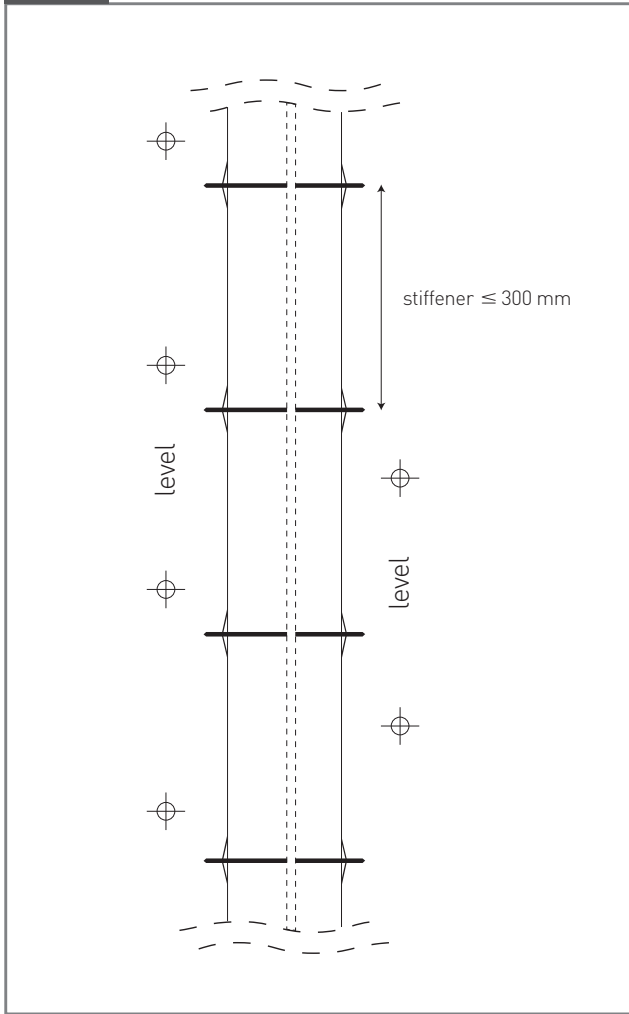
Date: 2021-09-01

Designer: DG

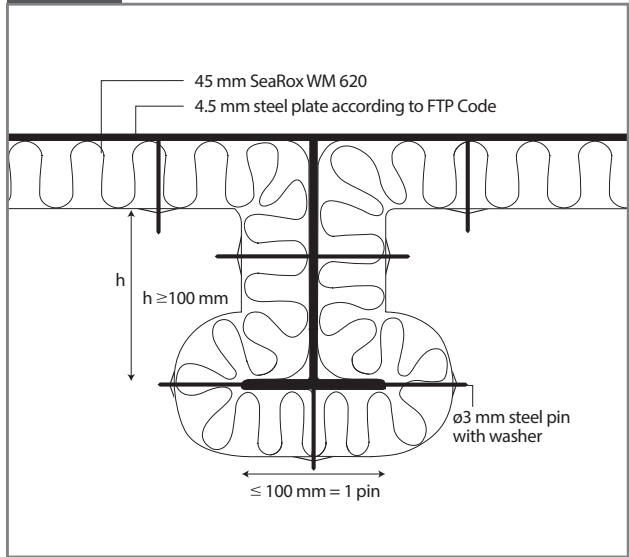
Drawing No. 400-3



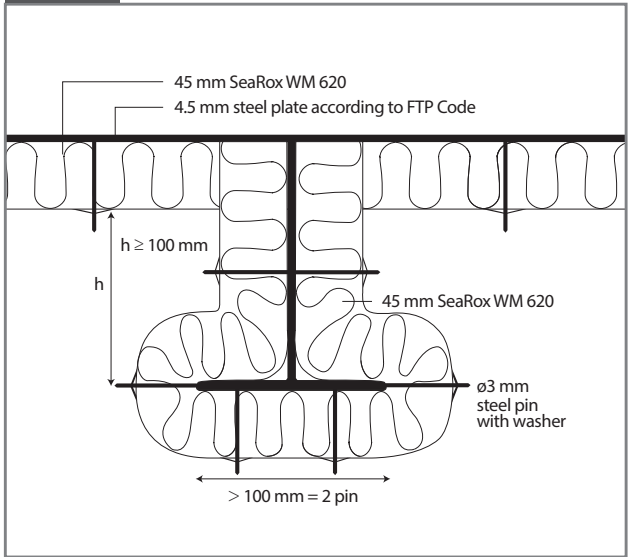
TOP VIEW



SECTION Q



SECTION R



Subject: A-60 Deck SeaRox WM 620/ WM 620

Date: 2021-09-01

Designer: DG

Drawing No.400-4



TECHNICAL INSULATION