



# EC-TYPE EXAMINATION CERTIFICATE (MODULE B)

Certificate no.:  
**MEDB00004R0**  
Revision No:  
**1**

Application of: Directive 2014/90/EU of 23 July 2014 on marine equipment (MED), issued as "Forskrift om Skipsutstyr" by the Norwegian Maritime Authority. This Certificate is issued by DNV AS under the authority of the Government of Norway.

## This is to certify:

that the A & B Class divisions fire integrity: A class divisions.

with type designation(s)

**A-15 Steel Bulkhead with SeaRox FB 6040 35 mm or SeaRox FM 6040 35 mm**

issued to

**Rockwool A/S**  
**Hedehusene, Denmark**

is found to comply with the requirements in the following Regulations/Standards:

Regulation (EU) 2023/1667,

item No. MED/3.11a. SOLAS 74 as amended, Regulation II-2/3.2 & II-2/9, IMO 2010 FTP Code, IMO MSC/Circ.1120 and IMO MSC.1/Circ.1434,1435; IMO MSC.1/Circ.1616, 1621

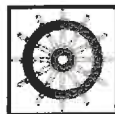
Further details of the equipment and conditions for certification are given overleaf.

This Certificate is valid until **2028-11-21**.

Issued at **Høvik** on **2023-11-22**

DNV local unit:  
**Denmark CMC**

Approval Engineer:  
**Tessa Bieber**



Notified Body  
No.: **0575**



for **DNV AS**

Digitally Signed By: Hovden, Kristin Grønneess  
Location: DNV Høvik, Norway  
on behalf of

**Sverre Olav Bergli**  
**Head of Notified Body**

A U.S. Coast Guard approval number will be assigned to the equipment when the production module has been completed and will appear on the production module certificate (module D, E or F), as allowed by the "Agreement between the United States of America and the EEA EFTA states on the mutual recognition of Certificates of Conformity for Marine Equipment" signed 17 October 2005, and amended by Decision No 1/2023 dated August 21st, 2023.

The mark of conformity may only be affixed to the above type approved equipment and a Manufacturer's Declaration of Conformity issued when the production-surveillance module (D, E or F) of Annex B of the MED is fully complied with and controlled by a written inspection agreement with a Notified Body. The product liability rests with the manufacturer or his representative in accordance with Directive 2014/90/EU.

This certificate is valid for equipment, which is conform to the approved type. The manufacturer shall inform DNV AS of any changes to the approved equipment. This certificate remains valid unless suspended, withdrawn, recalled or cancelled.

Should the specified regulations or standards be amended during the validity of this certificate, the product is to be re-approved before being placed on board a vessel to which the amended regulations or standards apply.



LEGAL DISCLAIMER: Unless otherwise stated in the applicable contract with the holder of this document, or following from mandatory law, the liability of DNV AS, its parent companies and their subsidiaries as well as their officers, directors and employees ("DNV") arising from or in connection with the services rendered for the purpose of the issuance of this document or reliance thereon, whether in contract or in tort (including negligence), shall be limited to direct losses and under any circumstance be limited to 300,000 USD.





Job ID: 344.1-008737-2  
Certificate no.: MEDB00004R0  
Revision No: 1

### Product description

"A-15 Steel Bulkhead with SeaRox FB 6040 35 mm or SeaRox FM 6040 35 mm"

Composed of structural steel bulkhead insulated with a 35 mm thick layer of mineral wool of type 'SeaRox FB 6040' or 'SeaRox FM 6040' with a nominal density of 60 kg/m<sup>3</sup> (manufactured by Rockwool International A/S) between stiffeners.

The insulation is fixed on the unexposed side by Ø 3 mm steel pins with Ø 30 - 38 mm washers. Maximum distance between pins is 300 mm.

For further details, see drawings listed under Type Examination documentation below.

### Application/Limitation

Approved for use as a vertical fire retarding division of class A-15.

The insulation materials and adhesives used have to be approved according to the Marine Equipment Directive and bear the MED Mark of Conformity. This requirement may also be applicable for surface materials used, if required by relevant rules and regulations.

Each product is to be supplied with its manual for installation, use and maintenance.

### Type Examination documentation

Test Report No. PGA11273A (FB) dated 28 August 2018 from DBI, Hvidovre, Denmark.

Supplement No. PGA11273A (FM) dated 7 August 2018 from DBI, Hvidovre, Denmark.

Drawing No. 2018002 dated 30 July 2018 from manufacturer.

Drawing No. 112-1 dated 24 September 2018 from manufacturer.

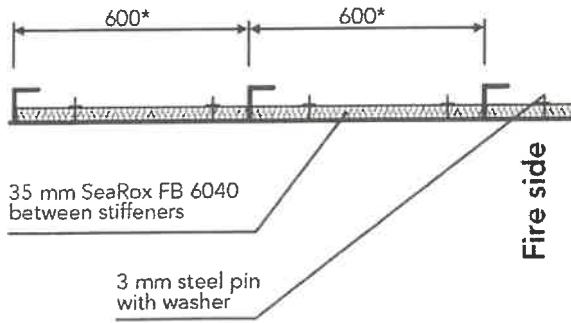
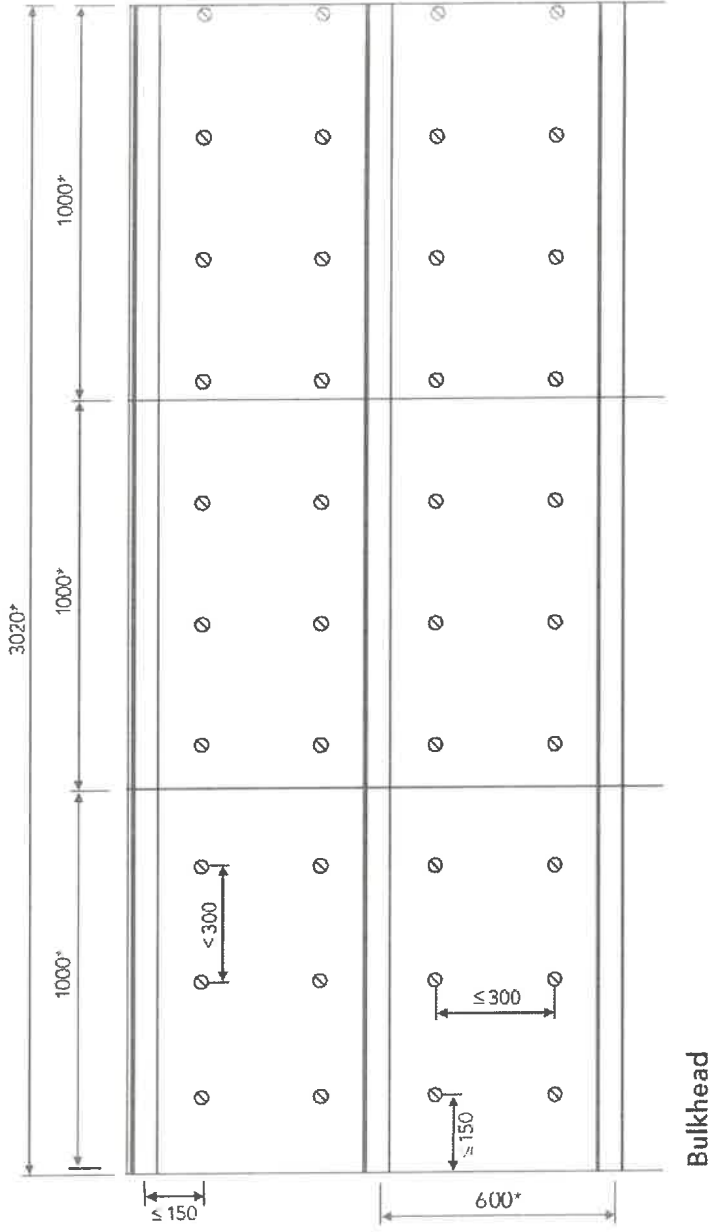
Drawing No. 112-2 dated 24 September 2018 from manufacturer.

### Tests carried out

Tested according to IMO 2010 FTP Code part 3.

### Marking of product

The product is to be marked with name and address of manufacturer, type designation, fire technical rating, the MED Mark of Conformity and USCG Approval Number if applicable (see first page).



\* Dimensions may vary depending on structural design and size of insulation slab.

All measurements in mm

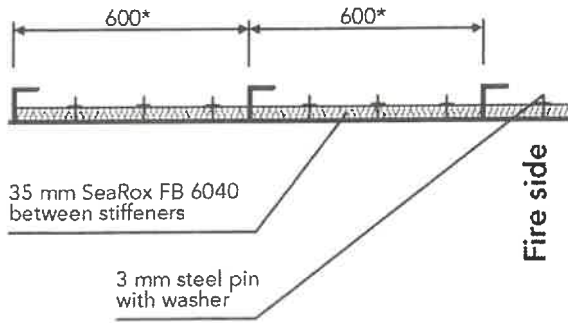
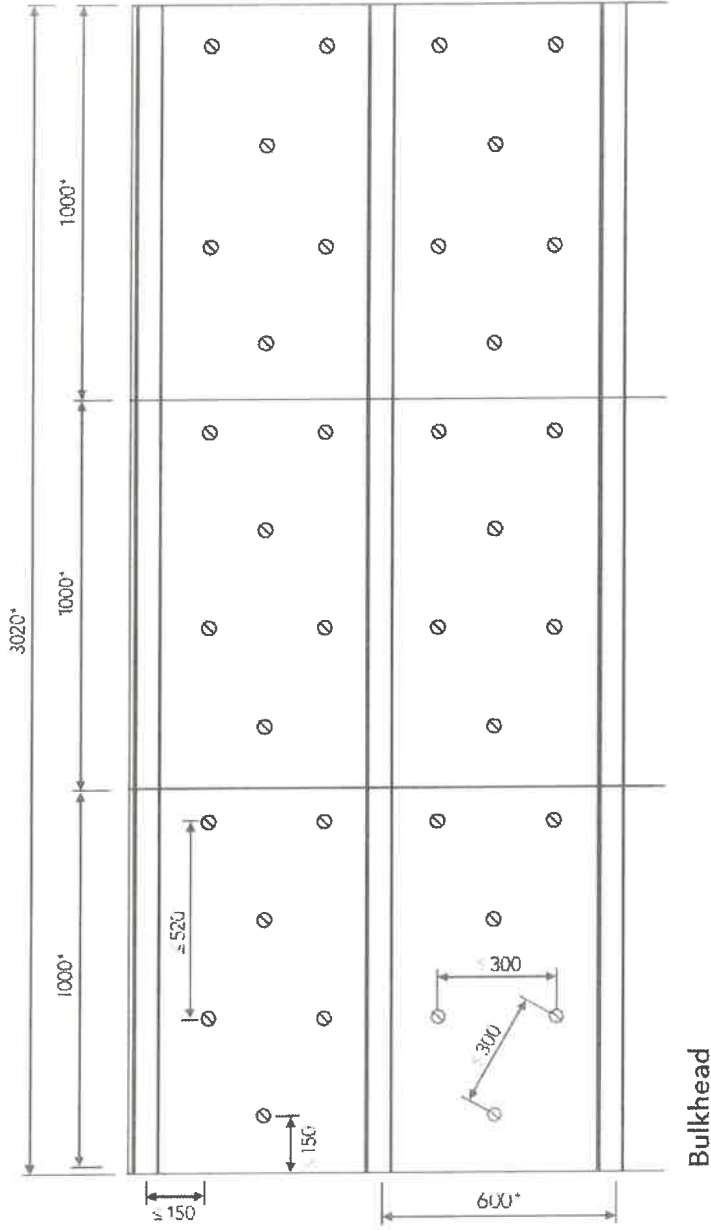


Subject: A-15 Bulkhead SeaRox FB 6040

Date: 2018/09/24 Drawing No. 112-2



TECHNICAL INSULATION



All measurements in mm

\* Dimensions may vary depending on structural design and size of insulation slab.



Subject: A-15 Bulkhead SeaRox FB 6040

Date: 2018/09/24 Drawing No. 112-1



TECHNICAL INSULATION