

EC-TYPE EXAMINATION CERTIFICATE (MODULE B)

Certificate No:
MEDB00003YN
Revision No:
1

Application of: Directive 2014/90/EU of 23 July 2014 on marine equipment (MED), issued as "Forskrift om Skipsutstyr" by the Norwegian Maritime Authority. This Certificate is issued by DNV AS under the authority of the Government of Norway.

This is to certify:

That the A & B Class divisions fire Integrity: A class divisions.

with type designation(s)

Steel Deck A15 with SeaRox FB 6040 or SeaRox FB 6050 or SeaRox FM 6040 ALU or SeaRox SL 620

Issued to

Rockwool A/S
Hedehusene, Denmark

is found to comply with the requirements in the following Regulations/Standards:

Regulation (EU) 2022/1157,

item No. MED/3.11a. SOLAS 74 as amended, Regulation II-2/3.2 & II-2/9, IMO 2010 FTP Code, IMO MSC/Circ.1120 and IMO MSC.1/Circ.1434,1435; IMO MSC.1/Circ.1616, 1621

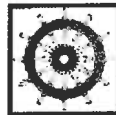
Further details of the equipment and conditions for certification are given overleaf.

This Certificate is valid until **2028-06-19**.

Issued at Høvik on **2023-06-20**

DNV local unit:
Denmark CMC

Approval Engineer:
Hølge Bjørnara



Notified Body
No.: **0575**



for DNV AS

Digitally Signed By:
Øyvind Hoff
Location: DNV Høvik, Norway
on behalf of

Sverre Olav Bergli
Head of Notified Body

A U.S. Coast Guard approval number will be assigned to the equipment when the production module has been completed and will appear on the production module certificate (module D, E or F), as allowed by the "Agreement between the United States of America and the EEA EFTA states on the mutual recognition of Certificates of Conformity for Marine Equipment" signed 17 October 2005, and amended by Decision No 1/2019 dated February 22nd, 2019.

The mark of conformity may only be affixed to the above type approved equipment and a Manufacturer's Declaration of Conformity issued when the production-surveillance module (D, E or F) of Annex B of the MED is fully complied with and controlled by a written inspection agreement with a Notified Body. The product liability rests with the manufacturer or his representative in accordance with Directive 2014/90/EU. This certificate is valid for equipment, which is conform to the approved type. The manufacturer shall inform DNV AS of any changes to the approved equipment. This certificate remains valid unless suspended, withdrawn, recalled or cancelled. Should the specified regulations or standards be amended during the validity of this certificate, the product is to be re-approved before being placed on board a vessel to which the amended regulations or standards apply.

LEGAL DISCLAIMER: Unless otherwise stated in the applicable contract with the holder of this document, or following from mandatory law, the liability of DNV AS, its parent companies and their subsidiaries as well as their officers, directors and employees ("DNV") arising from or in connection with the services rendered for the purpose of the issuance of this document or reliance thereon, whether in contract or in tort (including negligence), shall be limited to direct losses and under any circumstance be limited to 300,000 USD.



Form code: MED 201.NOR

Revision: 2022-12

www.dnv.com

Page 1 of 2

Product description

"Steel Deck A15 with SeaRox FB 6040 or SeaRox FB 6050 or SeaRox FM 6040 ALU or SeaRox SL 620", composed of structural steel deck insulated on the underside between the stiffeners with one of the following variants of insulation:

- SeaRox FB 6040 (density of 60 kg/m³) with thickness of minimum 35 mm, or
- SeaRox FB 6050 (density of 70 kg/m³) with thickness of minimum 35 mm, or
- SeaRox FM 6040 ALU (density of 60 kg/m³) with thickness of minimum 35 mm, or
- SeaRox SL 620 (density of 100 kg/m³) with thickness of minimum 35 mm.

The insulation is held in place by means of standard 3 mm pins and Ø30-38 mm steel washers. Distance between pins is maximum 300 mm.

For further details see-drawings listed under Type Examination documentation.

Application/Limitation

Approved for use as a horizontal fire retarding division of class A-15.

The insulation materials and adhesives used have to be approved in accordance with the Marine Equipment Directive and bear the Mark of Conformity. This requirement may also be applicable for surface materials used, if required by relevant rules and regulations.

Each product is to be supplied with its manual for installation, use and maintenance.

Type Examination documentation

Test report No. PGA11144A dated 14 December 2017 from DBI, Hvidovre, Denmark.

Supplement to test report No. PGA11144A dated 22 January 2018 from DBI, Hvidovre, Denmark.

Drawing No. 2017013 dated 3 November 2017 from manufacturer.

Drawing No. 111-1 dated 21 December 2017 from manufacturer.

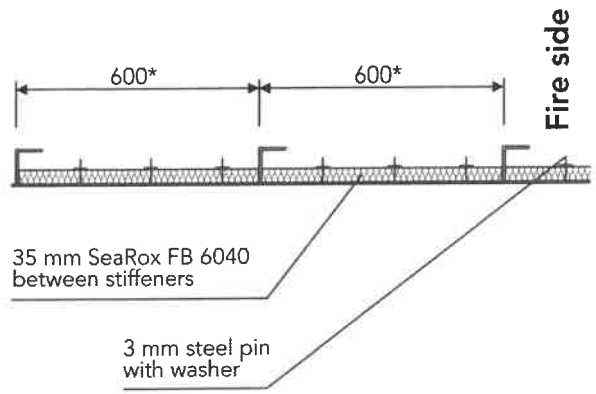
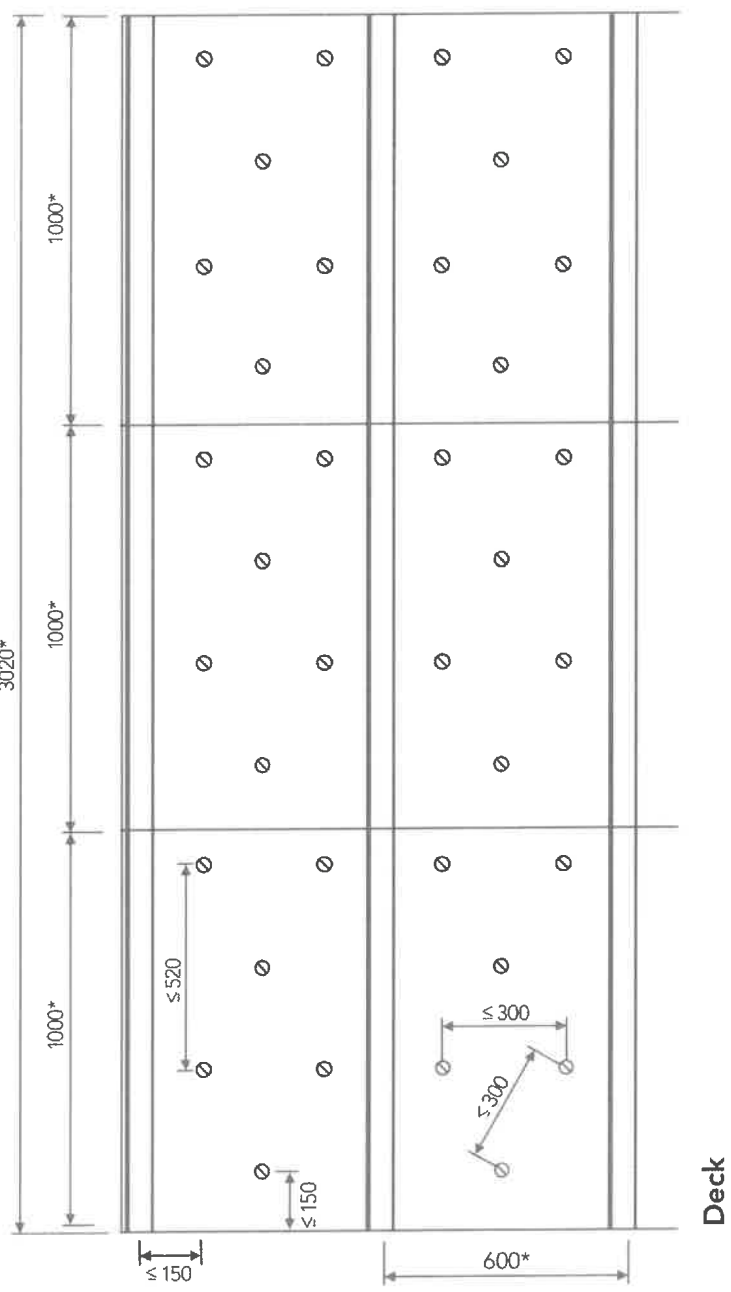
Drawing No. 111-2 dated 21 December 2017 from manufacturer.

Tests carried out

Tested according to IMO 2010 FTP Code part 3.

Marking of product

The product or packing is to be marked with name and address of manufacturer, type designation, fire technical rating, MED Mark of Conformity and USCG approval if applicable (see page 1).



* Dimensions may vary depending on structural design and size of insulation slab. All measurements in mm

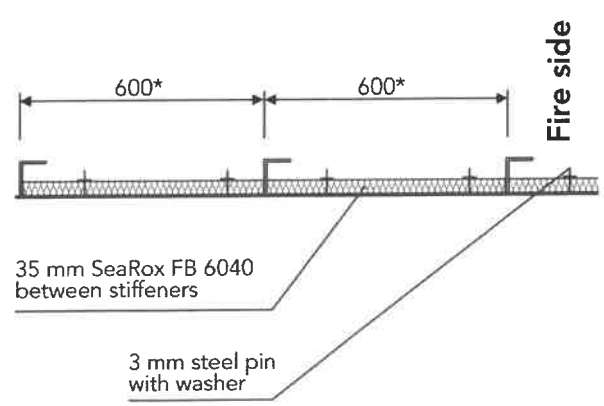
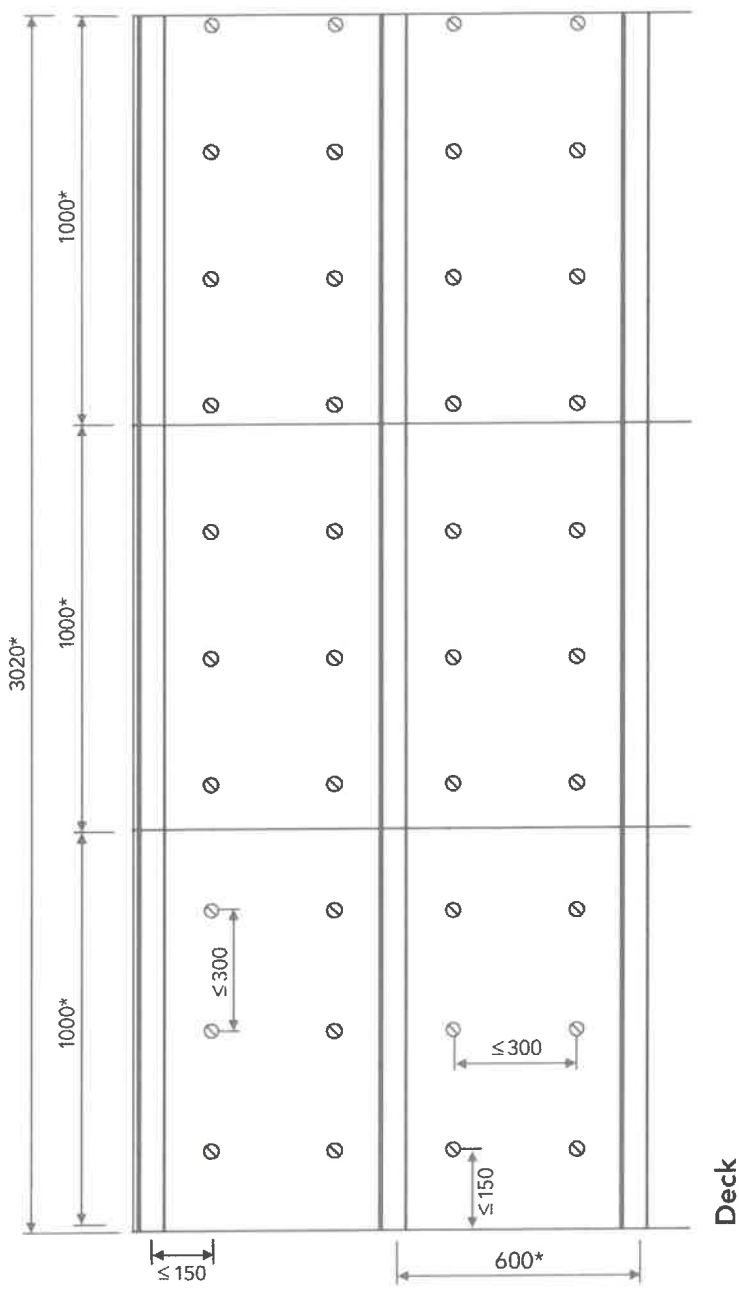


Subject: A-15 Deck SeaRox FB 6040

Date: 2017/12/21 Drawing No. 111-1



TECHNICAL INSULATION



* Dimensions may vary depending on structural design and size of insulation slab. All measurements in mm



Subject: A-15 Deck SeaRox FB 6040

Date: 2017/12/21 Drawing No. 111-2



TECHNICAL INSULATION